

Security fittings

Long backplate set

Aluminium
 Stainless steel
 Bronze

73 7375

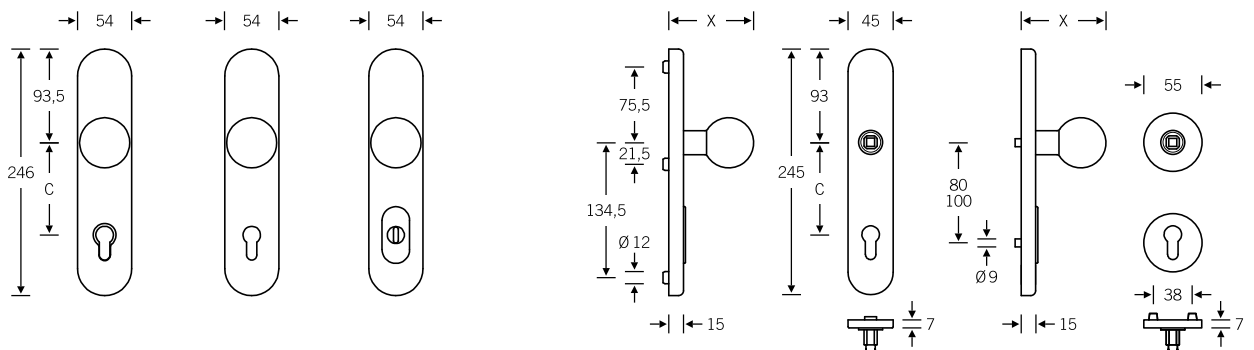


Order details	Standard Fire safety	<input type="checkbox"/> 73 7375 <input type="checkbox"/> 73 7575	
Set type	<input type="checkbox"/> Lever/knob set		
Inside hardware	<input type="checkbox"/> Backplate	<input type="checkbox"/> Roses	
Security grade of backplate set	<input type="checkbox"/> S2 11 mm <input type="checkbox"/> S2 15 mm <input type="checkbox"/> S2-ZA 8–15 mm <input type="checkbox"/> S4-ZA 8–15 mm		
Security grade of rose set	<input type="checkbox"/> S2-ZA	8–15 mm	
Set handing	<input type="checkbox"/> Handle inside pointing right <input type="checkbox"/> Handle inside pointing left		
Set to match door thickness	_____ mm		
Centres(C) for PC	<input type="checkbox"/> 72 mm <input type="checkbox"/> 78 mm, CH-RC* <input type="checkbox"/> 72 mm	<input type="checkbox"/> 88* mm <input type="checkbox"/> 92 mm	
Square spindle	<input type="checkbox"/> 8 mm <input type="checkbox"/> 9 mm	<input type="checkbox"/> 8.5* mm <input type="checkbox"/> 10 mm	
Material/colour	Aluminium Alu. + colour Stainless Steel Bronze	<input type="checkbox"/> 0105 <input type="checkbox"/> White <input type="checkbox"/> 6204 <input type="checkbox"/> 7615	<input type="checkbox"/> _____ <input type="checkbox"/> _____ <input type="checkbox"/> 6205 <input type="checkbox"/> 7625

Order quantity: _____ sets

Supplied door handle model:
 FSB 1107 (aluminium, aluminium + colour, stainless steel)
 FSB 1023 (bronze)
 Other models available upon request

X: 85 mm (aluminium, aluminium + colour)
 80 mm (stainless steel, bronze)



* S2-ZA only

With S2 (open version), the cylinder should not protrude more than 3 mm